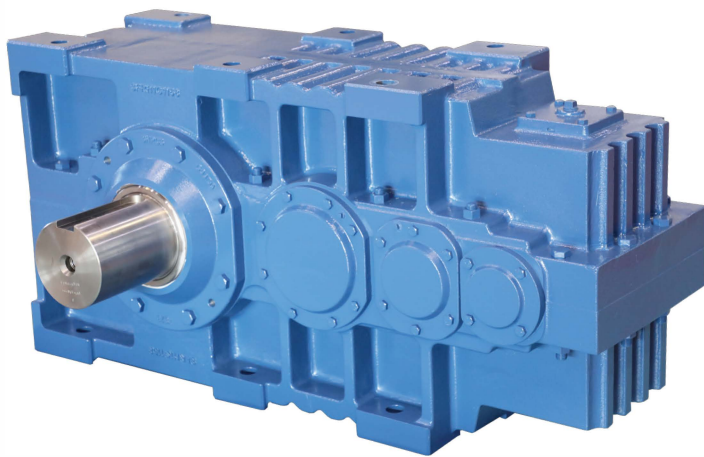


Sumitomo Drive Technologies

NEXT GENERATION GEARBOX
for Palm Oil Industry

NEW

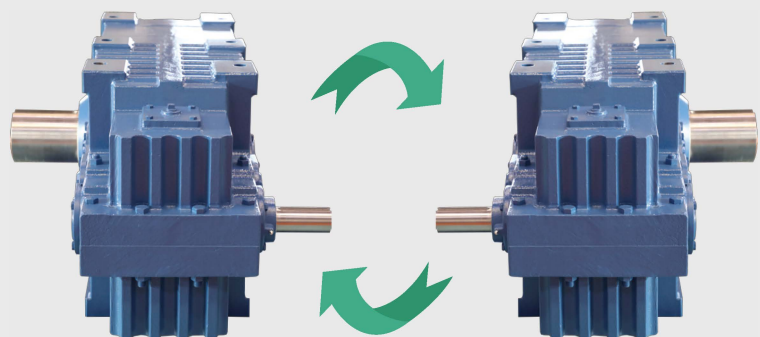


Suitable for: 75kW KCP
90kW EFB
110kW EFB

- Higher Capacity
- Higher Productivity
- Lower Maintenance
- Longer Lifetime

FLIPPABLE Housing design

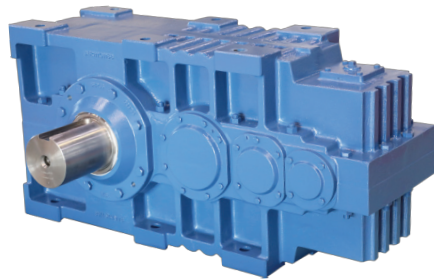
Ease in upgrading,
interchangeable with
our current series



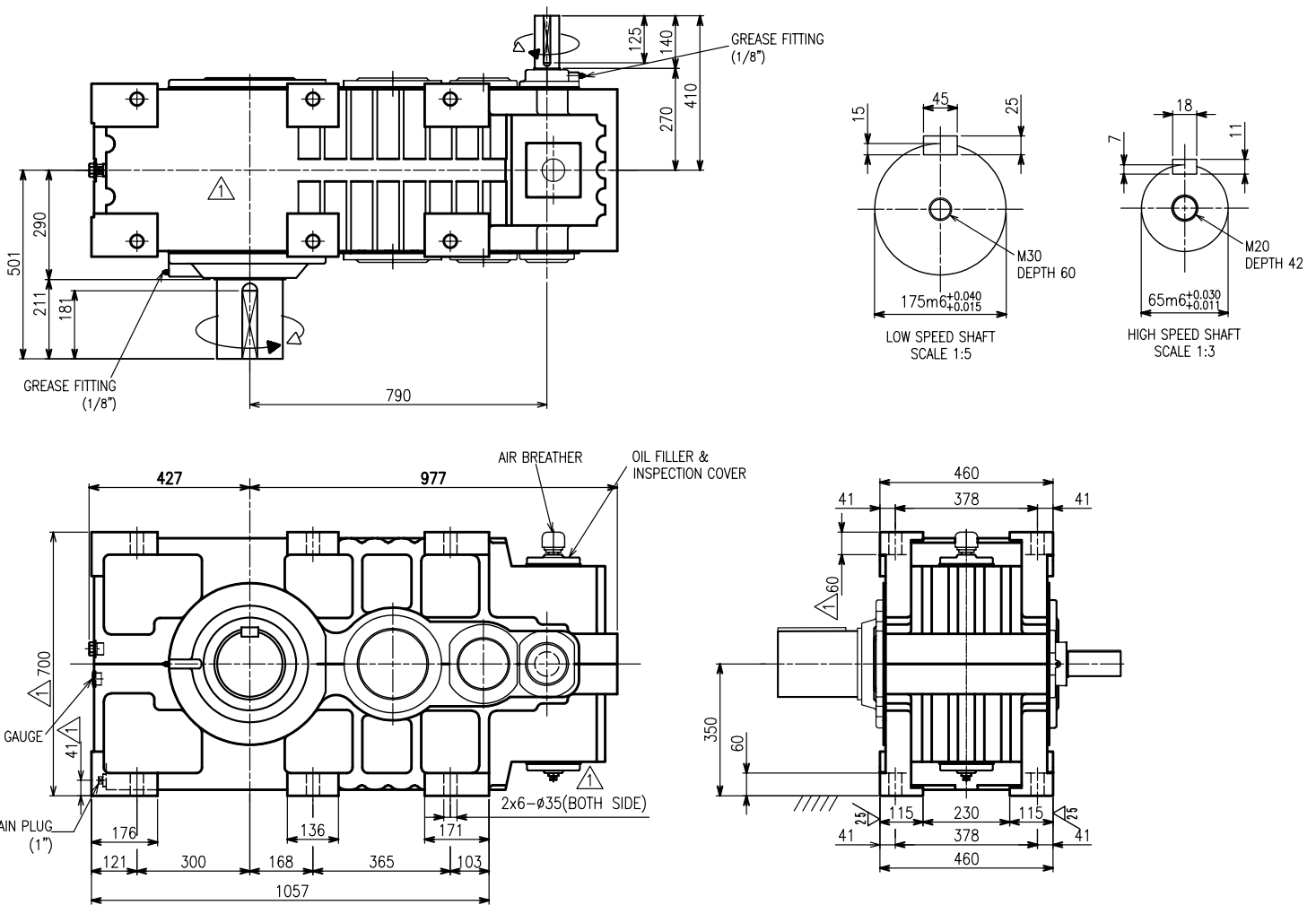
PARAMAX[®] YHD Series for Palm Oil Industry

HIGH CAPACITY
Empty Bunch Press
Kernel Expeller Drive

NEW



YHD090P3-RL-54.642



REDUCER SPECIFICATIONS

Model	Ratio	Torque Rating Nm	Input Speed rpm	Output Speed rpm	Power Rating kW	Output Shaft dia mm	Input Shaft Dia mm	Weight (Approx) kg	Oil (Approx) l
YHD090P3-RL-54.642	54.642	93,000	1,000	18.3	178	175	65	1,300	95
			900	16.4	159				
			765	14.0	136				

Lubrication System
Lubricant

Oil
ISO VG460 AGMA 7EP